



**GJS-7001**

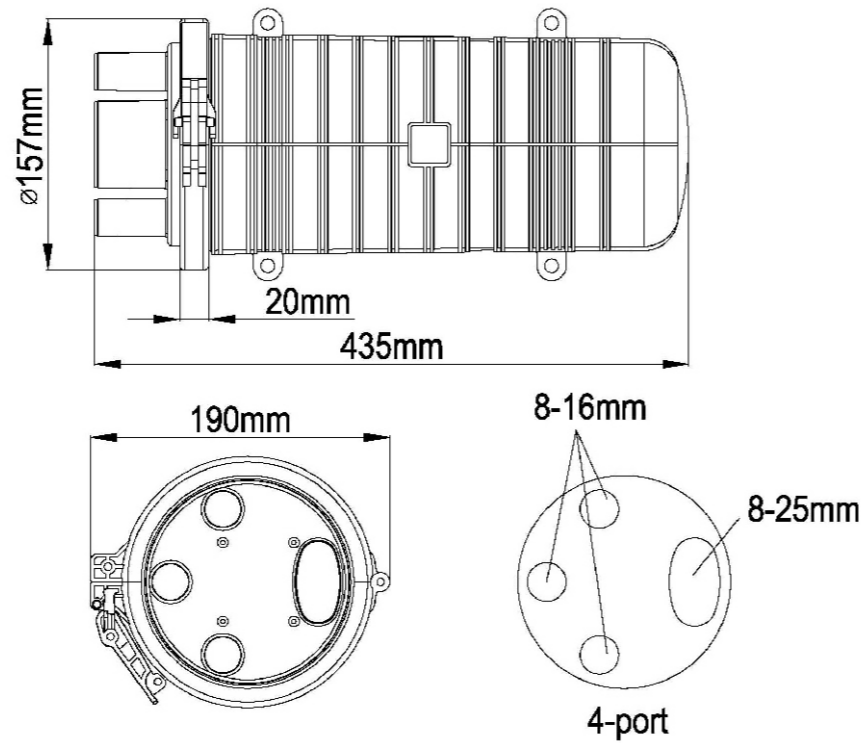
**Features**

- Advanced internal structure design
- Easy to re-enter, it never requires re-entry tool kit
- The closure is spacious enough for winding and storing fibers
- Fiber Optic Splice Trays(FOSTs) are design in SLIDE-IN-LOCK and its opening angle is about 90°
- The curved diameter meets with international standard
- Easy and fast to increase and reduce FOSTs
- Innovative elastic intergrated seal fitting
- The FOST base is provided with an oval inlet/outlet port

**Applications**

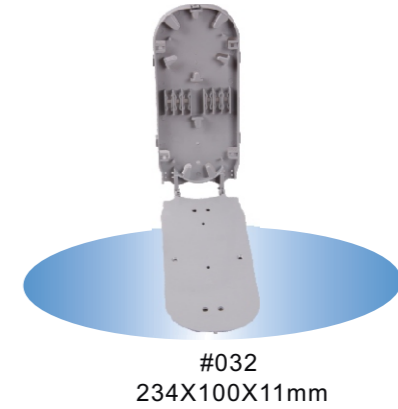
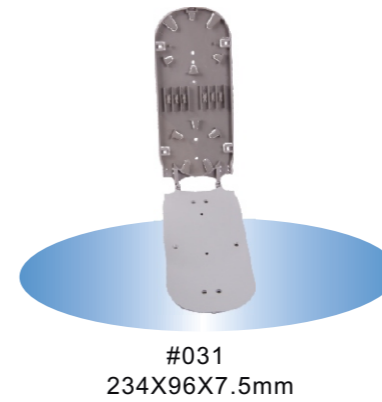
- ◆ Suitable for bunchy fibers
- ◆ Aerial, underground, wall-mounting, hand hole-mounting, Pole-mounting and duct-mounting

**Structural Drawing**



**Ordering Information**

**Optical Splice Trays**



Type	Fibers/Tray	Max. Capacity	Tray#	Suitable Cable Dia. allowed(mm)
GJS-7001 I(Bunchy)	12F	72	031	1 big oval port:25mm 3 small round ports:16mm
GJS-7001 II(Bunchy)	12-24F	96	032	

**Accessories**

**Standard Accessories:**

No.	Name	Quantity	
1	Earthing wire	1 pc	
2	Nylon tie	1 set	
3	Labeling paper	1 pc	
4	Heat shrinkable protective sleeve	1 bag	

No.	Name	Quantity	
5	Desiccant	2 bags	
6	Special wrench	1 pc	
7	Aluminum-foil paper	1 pc	
8	Abrasive cloth	1 pc	

**Optional Accessories:**

No.	Name	Quantity	
1	Pressure testing valve	1 pc	
2	Earthing deriving device	1 pc	
3	Buffer tube for bunchy fiber	1 roll	
4	Big heat shrinkable fixing sleeve	1 pc	
5	Small heat shrinkable fixing sleeve	3pcs	

No.	Name	Quantity	
6	Pole mounting bracket	1 set	
7	Metal hoop	1 set	
8	Wall mounting bracket	1 set	
9	Aerial mounting bracket	1 set	